

# Hymax<sup>®</sup>

*Flanged Adapter*



*Krausz*<sup>®</sup>



# Hymax®



## *...The Proven Time-Savers*

- \* For Water and Sewerage Applications, above and below ground where ever a flanged joint is required*
- \* Accommodates Pipe Ranges with Diameter Differences of up to 33 mm (54 mm on the 350 mm ND and above)*
- \* Superior Two Stage Sealing Capabilities*
- \* Easy fitting ...only one bolt to tighten on the compression end*
- \* Inventory Reduction*
- \* Stab Type Fit (no disassembly required)*
- \* Lightweight ...can be handled by one person*
- \* Compact body to allow for close tolerance installation*
- \* Flanges according to PN 10/16, BSTD, AWWA or any other requested standards*
- \* 16 ATM Working Pressure*
- \* Meets and Exceeds international standars*



Hymax flanged adapter



Hymax flanged Adapter with 50 mm oval meter flange



Hymax flanged outlet

# Series Flanged Adapter

The Hymax Flanged Adapter line is suited to a **wide range** of pipe joining conditions, and each size will replace between three and four dedicated size flanged adapters in your inventory.

Each flanged adapter will join pipes with **diameter differences up to 33 mm**. In addition, the Hymax Flanged Adapter will accommodate **angular deflection of up to 4 degrees** on the compression end.

The Hymax offers an efficient range adjustable pressure assisted **Hydraulic Sealing** system, and **EPDM Compounded gaskets**. Working temperature range is  $-30^{\circ}$  to  $100^{\circ}\text{C}$ .

The Hymax is a **stab type** product requiring **no disassembly**. The installer simply adjusts the gasket, and tightens **one bolt on the compression end** of the adapter to the required torque. The Hymax affords the installer a **compact design** and allows for installation in close tolerance locations.

The Hymax can be easily handled by one person due to the durable nature of its superior lightweight materials of construction. The coupling is equipped with a corrosion resistant coating of **fusion-bonded epoxy**, and comes with **stainless steel spanner, nuts and bolts**.

## Hymax Specification

### Materials:

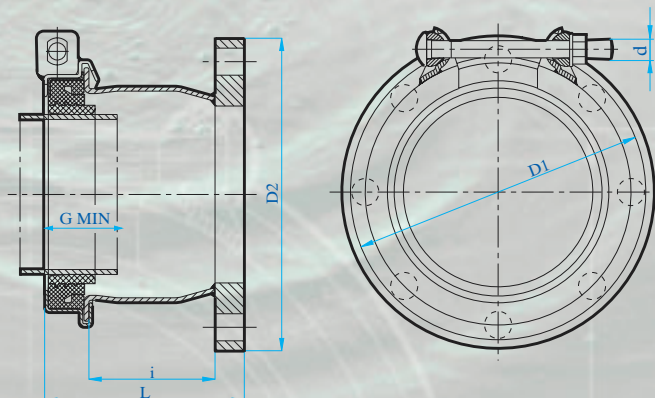
Carbon Steel RST-37.2 with Fusion-bonded Epoxy Coating

### Bolts and Nuts:

304 grade Stainless Steel with coated nuts and anti-seize compound

### Pressure Assisted Gasket:

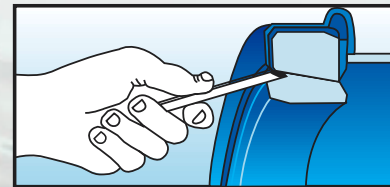
EPDM gasket. Compound approved for contact with drinking water and sewerage. The gasket is made in two layers, with a removable inner layer that allows for pipe diameter range expansion.



The 2-layered gasket provides a built-in wide range.

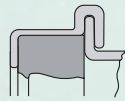
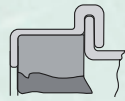
1. The low range is provided by the 2-layered gasket.
2. Removing the inner layer enables the high range.

Each side self-seals



# Hymax<sup>®</sup>

## Flanged Adapter



Nominal Diameter	Flange ND-16	Overall Range	Before removal the inner layer	After removal the inner layer	D	L	i	d	Approx. Weight
(mm/inch)	(inch)	(mm)	(mm)	(mm)	(mm)	(mm)	(mm)	(mm)	(kg)
50/2"	2"	54-77	54-66	65-77	ø133	156	103	M12	4.5
80/3"	3"	88-110	88-99	98-110	ø170	128	73	M12	5.4
100/4"w	4"	108-143	108-126	125-143	ø220	130	73	M14	8.2
125/5"	5"	130-162	130-146	145-162	ø240	159	101	M14	9.7
125/5"	6"	130-162	130-146	145-162	ø240	159	101	M14	10.8
150/6"	6"	158-190	158-174	173-190	ø270	159	101	M14	11.2
150/6"	6"	163-195	163-179	178-195	ø273	159	101	M14	11.2
175/7"	7"	190-222	190-206	205-222	ø298	159	101	M14	13.2
175/7"	8"	190-222	190-206	205-222	ø298	161	101	M14	14.0
200/8"	8"	217-250	217-233	232-250	ø328	161	101	M14	14.5
250/10"	10"	272-305	272-289	288-305	ø382	163	101	M14	18.3
250/10"	10"	278-311	278-295	294-311	ø388	163	101	M14	18.4
300/12"	12"	315-347	315-331	330-347	ø422	165	101	M14	20.8
300/12"	12"	334-366	334-350	349-366	ø440	165	101	M14	21.3

Hymax details for 350 mm and above see our Hymax large diameter catalog

\* Flanged adapters are PN 10/16, BSTD or any standard per request.

**Note:** G=Min. Pipe Insertion of 55 mm  
Working Pressure: 16 atm.  
Working Temperature: -30° to 100°C

**Warning:** When pipe pull out can occur, the pipe ends must be anchored. Failure to restrain the pipe ends may result in loss of line content and cause property damage, injury or death.

**Warning:** This product should not be used on natural gas or other types of gas piping. Use of this product on flammable gas may cause property damage injury or death.

\*Hymax is a patented product developed by Krausz Industries Ltd. The Hymax Trademark is the property of Krausz Industries Ltd.

**Krausz** *Krausz Industries Ltd.*  
6 Hapatish st., Tel-Aviv, Israel.  
Tel: 03-5154000, Fax: 03-6821572.  
E-mail: int@krausz.com